



Pearl
Educational Product.
1946 2006

CONCERT MARCHING CARRIERS DRUMSET HAND PERCUSSION HARDWARE



Artists

| | |
|--------------------------|---|
| Tim Adams | Pittsburgh Symphony Orchestra /Carnegie Mellon University |
| Keith Aleo | Boston Conservatory /Interlochen Arts Camp |
| James Ancona | University of Delaware /Cavaliers Drum & Bugle Corps Caption Head |
| Dean Anderson | Berklee College of Music /Boston Ballet Orchestra |
| Attacca Percussion Group | Washington D.C. |
| Lonny Benoit | McNeese State University |
| Mario Boivin | Sherbrook University |
| Michael Bump | Truman State University |
| Jim Casella | Cavaliers Drum & Bugle Corps Percussion Arranger |
| Don Click | Independent |
| Glen Crosby | Academy Drum & Bugle Corps |
| Jeff Crowell | University of Wisconsin-Eau Claire |
| Julie Davila | Percussion XS |
| Lalo Davila | Middle Tennessee State University |
| Chris Deviney | Philadelphia Symphony Orchestra |
| Drew Duthart | Scottish Lion-78th Fraser Highlanders |
| Matthew Duvall | Eighth Blackbird |
| Neal Flum | University of Alabama |
| Tom Freer | Cleveland Symphony Orchestra /Cleveland State University |
| Jauon Gilliam | Winnipeg Symphony |
| Greg Goodall | Los Angeles Studio Hollywood Bowl Orchestra |
| David Gross | Grand Rapids Symphony Orchestra |
| Murray Gusseck | Independent |
| Jonathan Haas | International Soloist /Peabody Conservatory, New York University |
| Chris Hanning | NFL Films /West Chester University |
| Thom Hannum | University of Massachusetts-Amherst /DCI Hall of Fame |
| Ralph Hardimon | Capital Regiment /DCI Hall of Fame |
| Andy Harnsberger | Marimba Soloist Lee College |
| Steve Hearn | Cabrillo New Music Festival |
| Scott Herring | University of South Carolina |
| Julie Hill | University of Tennessee -Martin |
| Steve Houghton | Indiana University |
| Will Hudgins | Boston Symphony Orchestra New England Conservatory |
| Rob James | Eastern Kentucky University |
| Kuniko Kato | International Soloist |
| John Kinzie | Colorado Symphony Orchestra /University of Denver Lamont School of Music |
| Kunihiko Komori | International Soloist |
| Eduardo Leandro | University of Massachusetts-Amherst |
| Mike Mann | Independent |
| Mitch Markovich | Independent /National Solo Champion |
| Dave Marvin | Denver Broncos Stampede /Blue Knights World Ensemble |
| Brian Mason | Morehead State University /Santa Clara Vanguard |
| Rolando Morales-Matos | The Lion King |
| Reid Maxwell | Simon Fraser University Pipe Band |
| Bruce McConnell | Freelance Arranger |
| Colin McNutt | University of Massachusetts-Amherst /Madison Scouts Caption Head Arranger |
| Catherine Meunier | International Soloist |
| Ben Miller | Marshall University |
| William Moersch | University of Illinois |
| Devin Namaky | Independent /DCI Solo Champion |
| Valerie Dee Naranjo | Saturday Night Live Band /Marimba Soloist |
| Scott Ney | University of New Mexico |
| Nexus | World Class Percussion Group |
| John W Parks IV | Florida State University |
| Charley Poole | East Coast Jazz /DCI Hall of Fame |
| Janis Potter | Marimba Soloist /George Washington University |
| Jeff Prosperie | University of Louisiana-Lafayette /DCI & PASIC Solo Champion |
| Jeff Queen | Independent /DCI & PASIC Solo Champion |
| David Reeves | University of Washington |
| Sam Santistevan | University of Nevada-Reno |
| Roger Schupp | Bowling Green State University |
| Tom Sherwood | Atlanta Symphony Orchestra |
| Robert Van Sice | International Marimba Soloist /Peabody Conservatory, Yale University |
| Robert Slack | Pacific Symphony Orchestra |
| Andy Smith | Middle Tennessee State University |
| So Percussion Group | Percussion Quartet |
| JB Smith | Arizona State University |
| Ed Stephan | Ft Worth Symphony Orchestra |
| Matthew Strauss | Houston Symphony Orchestra |
| Brian Tinkel | Mars Hill College /Carolina Crown |
| Michael Werner | Metropolitan Opera Orchestra |
| Mark Wessels | Independent |
| John Wooton | University of Southern Mississippi |
| Cynthia Yeh | San Diego Symphony Orchestra |

Ensembles

Denver Broncos Stampede Capital Regiment Seattle Cascades Percussion XS NFL Films Santa Clara Vanguard Carolina Crown
Phantom Regiment Boston Crusaders Blue Knights Nexus So Percussion Group Hip Pickles Music City Mystique
Scottish Lion-78th Fraser Highlanders City of Washington Pipe Band Simon Fraser University Pipe Band Jacksonville Jaguars D-Line

Contents

| | |
|-------|----------------------------------|
| 2 | Pearl Artists |
| 3 | Contents |
| 4-5 | Championship Series Snare Drums |
| 6 | Championship Series Toms |
| 7 | Championship Series Bass |
| 8-9 | Championship Series Carbonply |
| 10 | Championship Series Articulate |
| 11 | Custom Powdercoating |
| 12 | Competitor Series Snare Drums |
| 13 | Competitor Series Toms & Bass |
| 14-15 | Championship Series Pipe |
| 16 | May Monoposto Bass Carrier |
| 17 | May Contour Hinge Carrier |
| 18-19 | Championship Magnesium Carrier |
| 20 | Championship Aluminum Carrier |
| 21 | Competitor T-Bar Carrier |
| 21 | Championship Pipe Carrier |
| 22-23 | Carrier Accessories |
| 24-27 | May Stadium Hardware |
| 28-29 | Advanced Hardware |
| 30 | Marching Cases & Covers |
| 31 | Marching Accessories |
| 32-33 | Marching Replacement Parts |
| 34-35 | Philharmonic Series Snare Drums |
| 36 | Symphonic Series Snare Drums |
| 37 | Concert Series Snare Drums |
| 38 | Philharmonic Series Concert Toms |
| 39 | Concert Series Toms |
| 40 | Philharmonic Series Bass Drums |
| 41 | Concert Series Bass Drums |
| 42-43 | Concert Hardware |
| 44-45 | Educational Kits |
| 46 | Adams Timpani & Chimes |
| 47 | Adams Marimba & Glockenspiel |
| 48 | Adams Vibraphone |
| 49 | Adams Endurance Field Frame |
| 50 | Drumsets |
| 51 | Hand Drums & Stands |
| 52-53 | Hand Effects |
| 54-55 | Taiko Drums |

Championship Series

The Choice of Champions.



FFX-1412/A
in #94 Candy Apple

Standard Covered Finishes



#26
Brushed Silver

#33
Pure White

#46
Midnight Black

#92
Aurora Blue

#94
Candy Apple

A Legend on the Field

No other Snare drum has changed the face of corps competition like the FFX Championship Series. The lethal combination of 6 plies of 100% Maple free-floating in a super lightweight aircraft Aluminum frame creates a force to be reckoned with on the field. Available in 13" and 14" sizes.

FEATURES

- 6 ply 100% Maple Shell
 - Free-Floating Design
- Lightweight Aircraft Aluminum Frame
- Aluminum Alloy Edge Ring and Hoops to Withstand the Highest Tensions
 - Individually tunable snares
 - Quick Release Strainer Allows Fast Head changes
- 6 Acoustically Located Air Vents
 - 3 Year Warranty on Shells
- 1 Year Warranty on All Hardware
- Rod Guards Prevent Accidental Loss of Tension rods during Quick Head Changes

Sound Reinforcement

The 2 ply Maple reinforcement rings provide solid shell stability and shape integrity. This in turn promotes optimal head seating and consistent tuning, so crank em down and tune em up. The FFX will take it. 16 Strand Synthetic Gut Snares offer a tremendous advantage over the competition by offering a larger contact area with the bottom head. This in turn provides increased sensitivity at lower playing levels and dramatic power as volume increases. The individual strands are also removable, offering the widest tuning range of any drum on the market.



Snare Control

The FFX offers unparalleled tuning control by allowing the fine tuning of each individual synthetic gut snare. The oversized adjustment knob allows complete control over the vertical placement of the entire snare unit in the snare bed. Solid steel guards offer protection when sitting.

FEATURES

- Free-Floating Design Strainer Mounts to Tension Rods with No Shell Contact
- Lightweight Aircraft Aluminum Frame
- Individually Tunable Snares
- Quick Release Strainer Allows Fast Head Changes

Lightning Fast

The large easy-grip handle provides intuitive access without having to search. It's super fast and most of all quiet. The large one knob release allows the entire assembly to be disengaged for quick head replacement without nuts and washers to keep up with.

FEATURES

- Free-Floating Design Throw-Off Eliminates Shell Contact
- Extremely Quiet On/Off Operation
- Stainless Steel guards offer protection to Throw-off Assembly
- Oversize Precision Milled Knobs are Smooth and Exact
- Large One Knob Release Allows Entire Snare Assembly to Drop for Quick Head Changes

Special Order High Gloss Lacquer Finishes



#109
Arctic White

#110
Sequoia Red

#122
Black Mist

#125
Teal Blue

#126
Emerald Mist

#160
Silver Sparkle

#165
Diamond Burst

#166
Black Sparkle

Championship Tom

Setting the Tone.



PMT-60234/A
in #26 Brushed Silver

FEATURES

- 6 ply 100% Maple Shell
- 2 ply Maple Reinforcement Rings
- Fully Rounded Bearing Edges for Optimum Tone
- Features Pearl's Sonic Cut for Optimal Volume and Projection
- 2.3 mm Solid Steel SuperHoop II Rims
- Rubber Tom Trim for Shell Protection
- 10 Pre-Configured Sets
- 6 mm Case Hardened Tension Bolts
- Available in 5 Covered Finishes
- 3 Year Shell Warranty
- 1 Year Hardware
- Available in 8 High Gloss Lacquer Finishes* -Special order only

The Fills That Thrill

6 ply 100% Maple shells is what you get in Pearl's Championship Series Marching Toms. The perfect compliment to our FFX snare drums. 2.3mm Steel SuperHoop II rims are anchored in place by high strength 6 mm case-hardened tension bolts. Lightweight Aluminum lug casings provide extreme strength and evenly disperse head pressure when aggressively tuned. All sets include 40 mm Aluminum spacers between drums for even weight dispersion and playable positioning for improved playability.

Inner Strength

Our Tom shells feature a 2 ply 100% Maple reinforcement ring that adds tremendous strength to the 6 ply Maple shell. This allows maximum shell resonance while providing structural integrity as the tuning goes up.



Best Selling Maple Tom Sets

| | |
|-------------|--------------------|
| PMT-024/A | Trio 10/12/14 |
| PMT-8023/A | Quad 8/10/12/13 |
| PMT-8024/A | Quad 8/10/12/14 |
| PMT-0234/A | Quad 10/12/13/14 |
| PMT-68023/A | Quint 6/8/10/12/13 |

| | |
|--------------|------------------------|
| PMT-68024/A | Quint 6/8/10/12/14 |
| PMT-60234/A | Quint 6/10/12/13/14 |
| PMT-668023/A | Sextet 6/6/8/10/12/13 |
| PMT-668024/A | Sextet 6/6/8/10/12/14 |
| PMT-660234/A | Sextet 6/6/10/12/13/14 |

The Place for Bass

The very core of your Corps. Bass. It's the sound that drives the competition experience. To project those low frequencies you need big volumes of air moving. And with Pearl's seismic air chambers that's exactly what you get, Bass that you and your audience can feel.

6 ply 100% Maple shells offer maximum resonance and *Huge* sub-frequency projection. To compliment the Maple shells 2" wide 6 ply Maple Hoops are secured by extra wide claws that provide an evenly dispersed grip for consistent tuning. Lightweight high strength Aluminum casings and 6 mm case hardened tension bolts provide uncompromising strength while still keeping you light on your feet.



FEATURES

- 6 ply 100% Maple Shell
- 2" wide 6 ply Maple Hoops for Optimal Tuning Consistency and Durability
- Remo Smooth White Ambassador® Heads with Logo
- Die-Cast Aluminum Alloy Casings
- Oversized Triple Reinforced Claws
- Available in 5 Standard Covered Finishes
- High Gloss Black Hoops for Classic Style
 - 6 Acoustically located Air Vents
 - 10 Unique Sizes
- 6 mm Case-Hardened Tension Bolts
 - 3 Year Shell Warranty
 - 1 Year Hardware
- Available in 8 High Gloss Lacquer Finishes* -Special order only



PBD-1614
in #26 Brushed Silver

Best Selling Maple Bass Drums

| | |
|----------|-----------|
| PBD-1414 | 14" x 14" |
| PBD-1616 | 16" x 14" |
| PBD-1814 | 18" x 14" |
| PBD-2014 | 20" x 14" |
| PBD-2214 | 22" x 14" |
| PBD-2414 | 24" x 14" |
| PBD-2614 | 26" x 14" |
| PBD-2814 | 28" x 14" |
| PBD-3016 | 30" x 16" |
| PBD-3216 | 32" x 16" |

Championship Carbonply

A Sumptuous Sonic Sandwich of Power.

A Sonic Beast

Only Carbon Fiber can take your Corps or band to the next level. Speed, agility and power are a must in today's highly competitive environment and with Pearl's Championship Carbonply family you have everything working in your favor to put your group in the Winner's Circle.

The FFXC features 6 plies of exotic African Mahogany sandwiched between an inner and outer ply of Carbon Fiber. This distinctive combination creates a sonic hybrid beast of a snare drum that promotes a perfect balance between the low frequency of African Mahogany and the exuberant mid to high range tendencies of Carbon Fiber for an aural blend unlike anything that you have ever experienced.

FEATURES

- 6 ply African Mahogany with Inner and Outer Carbon Fiber Layers
 - 2 ply Reinforcement rings
- Advanced Hybrid Blend of Materials Creates Optimum Tone
 - Superior Volume
 - Robust Wide Tonal Spectrum
- Carbon Fiber Adds Strength to Shell
 - Available in 13" and 14" Sizes
 - Standard Lacquer Finish
 - #301 Carbon Fiber Matte
 - 3 Year Warranty on Shell
 - 1 Year Warranty on Hardware

CARBONPLY FFXC



FFXC-1412/A

Quintessential Power

Our Championship Series Carbon Ply Toms provide a battery of sonic assault. The shell composition of 6 ply African Mahogany encapsulated in an inner and outer ply of Carbon Fiber promotes amazing projection and aggressive volume. These Quads and Quints offer the perfect complimentary balance of sound to our Carbonply Snare Drums. Available in a choice of 6 pre configured packages to fit perfectly in your Corps. These advanced materials provide cutting edge technology to offer an acoustic advantage to those who dare.

FEATURES

- Advanced Hybrid Blend of Materials Creates Optimum Tone
- Superior Volume and Projection
- Robust Wide Tonal Spectrum
- An Aural and Ocular Experience
- Carbon Fiber Adds Strength to Shell
- Standard Lacquer Finish
- #301 Carbon Fiber Matte
- 3 Year Warranty on Shell
- 1 Year Warranty on Hardware



| | |
|--------------|---------------|
| PMTC-8023/A | 8/10/12/13 |
| PMTC-8024/A | 8/10/12/14 |
| PMTC-0234/A | 10/12/13/14 |
| PMTC-68023/A | 6/8/10/12/13 |
| PMTC-68024/A | 6/8/10/12/14 |
| PMTC-60234/A | 6/10/12/13/14 |

Bass. The Final Frontier

Our Championship Series Carbonply Bass Drums offer up Bass technology like you have never experienced. 6 plies of Maple formed then covered in an inner and outer layer of Carbon Fiber. Space age technology merges with 60 years of drum-making craftsmanship to form the ultimate high volume, low frequency generator. Available in 10 sizes.



| | |
|-------------|-----------|
| PBDC-1414/A | 14" x 14" |
| PBDC-1614/A | 16" x 14" |
| PBDC-1814/A | 18" x 14" |
| PBDC-2014/A | 20" x 14" |
| PBDC-2214/A | 22" x 14" |
| PBDC-2414/A | 24" x 14" |
| PBDC-2614/A | 26" x 14" |
| PBDC-2814/A | 28" x 14" |
| PBDC-3016/A | 30" x 16" |
| PBDC-3216/A | 32" x 16" |

Championship Articulate

A Sonic Giant.

Dynamite in a Small Package

Don't let the size fool you. This is one potent competitor. These smaller sized 6 ply Maple Snare Drums offer amazing response due to the reduced interior shell volume. Excited air molecules moving within the confines of a reduced interior provide dramatic attack without overtones that muddy the sound in an indoor venue. Nothing but crisp articulate crack. The inherently lighter weight of these drums make them perfect for high mobility events.

Available in 2 standard covered finishes.

*Special order finishes available.



FFXS-1309/A (13.8 lbs)

FEATURES

- 6 ply Maple Shells for Strength, Projection and Richness of Sound
- Smaller Shell Interiors Provides Extreme focus with Minimal Overtone
- Light Weight Provides Increased Mobility
- Aluminum Alloy Edge Ring and Rims
- Includes Same High Durability Hardware & Strainer as Standard Championship Series

Small Space, Big Bass

Articulate Bass Drums feature 6 ply Maple shells in an extra shallow depth that offers powerful bass with tight focus and crisp response. The 12" depth allows faster transference of energy from head to shell to audience. The bass frequencies remain tight and articulate. Perfect for the hard reflective surfaces of small venues and indoor arenas. 6 acoustically placed air vents allow quick exit of air for unsurpassed playing response and added projection. 2" wide 6 ply Maple hoops provides increase strength and durability.



PSBD-1612

FEATURES

- 6 ply Maple Shells for Strength, Projection and Richness of Sound
- Shallow Shell Interiors Provides Extreme focus with Minimal Overtones
- Light Weight Provides Increased Mobility
- Aluminum Alloy Edge Ring and Rims
- Angle Cut Bearing Edges Enhance Resonance for Superb Tone

Power. To Go

Articulite Marching Toms are designed to compliment the FFXS Snare Drums. The shallow shell design provides tight focus while reducing overall mass for fast moving high energy performances. Maple Shells delivers rich, robust sound while the rounded bearing edges deliver that distinctive Pearl sound. Redesigned case-hardened Aluminum tension casings offers improved tuning accuracy and even dispersion of tension while 6 mm case hardened tension bolts permit the highest tensionings without failure. Available in 6 packaged sets.



PSMT-68023/A

FEATURES

- 6 ply Maple Shells for Strength and Richness
- Smaller Shells with Sonic Cut Provides Extreme Focus and Articulate Response
- Rounded Bearing Edges Deliver Classic Pearl Tone
- Light Weight Provides Increased Mobility
- 40 mm Tom Spacers



FFX-1311/A
Championship Series shown in custom White powdercoating

Color Your Sound

The sounds, the uniforms, everything in Drum Corps generates excitement. Now you can even take that level of excitement and individuality to the finish on your drums. Custom powdercoated finishes allow complete color coordination with your Corps and really sets you apart from all the other plain Jane metal finishes. Everything in your favor. From custom lacquer finishes to powdercoated hardware, Pearl offers everything to set your group apart on the field. Beautiful, yet durable, powdercoated finishes gives your drums major visual impact and will last for season after season. Allow 6-8 weeks for delivery.

FEATURES

- Extremely Durability and Weather Resistance
- Major Visual Impact (Allow 6-8 Weeks for Delivery.)



Orange



Blue



Red



Yellow



Purple



Green



White



Black

POWDERCOATING

Competitor Series

A Sound Competitor on the Field.

A Sound Competitor

The newly redesigned Competitor Series offers big value at affordable prices. The CMSX snare drum offers many of the features of the FFX Series snares such as a free-floating shell with an aluminum edge ring that relieves all batter head tension from the 8 ply shell. Case hardened tension rods evenly disperse head tension for precise and consistent tuning. The bottom hoop features a built in snare guard for protection. The synthetic gut snares offer dynamic sensitivity and are controlled via the lever-activated strainer. Available in #33 Pure White.



CMSX-1412/C

FEATURES

- 8 ply Mahogany Shells
- Lightweight Construction
- 2.3 mm Solid Steel Hoops
- Light Weight Promotes Increased Mobility
- Available in 13" and 14" Sizes
- Aluminum Edge Ring Relieves Shell Tension
- Ultra Sensitive 12 Strand Synthetic Snares

High Performance and Value

The CMS snare drums are available in 2 sizes 14" x 12" and 13" x 11". These drums feature 8 ply Mahogany construction with chrome-plated zinc tension casings for even tuning at extreme tensions. The lever operated strainer offers fast and reliable on/off control. These drums offer extreme value combined with super lightweight construction. The CMS-1311 is the lightest marching snare available at only 10.2 lbs. Available in #33 Pure White.

FEATURES

- 8 ply Mahogany Shells
- Lever Action Strainer
- Lightweight Construction
- Light Weight Promotes Increased Mobility
- Ultra Sensitive Synthetic 12 Strand Snares



CMS-1311/C
(only 10.2 lbs)



CMT-8023/C

FEATURES

- 8 ply Mahogany Shells
- Aluminum Tom Spacers
- Fully Rounded Bearing Edges
- Pearl's Sonic Cut for Amazing Projection
- Includes Rubber Tom Trim for Shell Protection
- Lightweight promotes Increased Mobility
- Chromed Zinc Lug Casings
- Steel Hoops
- 3 Packages Available

Robust Tone

Redesigned for even greater sound these new Tenors offer extreme value and performance to put your Corps in the Winner's Circle. 8 ply Mahogany shells feature a rounded bearing edge for robust tone. Pearl's sonic cut on the shell bottoms project that big sound right to your audience. The lightweight zinc lug casings provide precise even tuning by keeping those super rigid steel hoops firmly planted to the shells. The bottoms of the shells are protected by rubber Tom Trim and lightweight aluminum Tom spacers keep positioning perfect. Available in #33 Pure White.

Big Sound at a Big Value

Our Competitor Series bass drums offer tremendous value and performance. 8 ply Mahogany shells featuring 6 strategically placed air vents make these drums highly efficient low frequency projectors. 6 ply Maple hoops provide a rigid mount for the triple-reinforced claws that anchor securely to our zinc lug casings. Available in 8 sizes.

FEATURES

- 8 ply Mahogany Shells
- 6 ply High-Gloss Black Maple Hoops for a Classic Finish
- 6 Acoustically Located Air Vents
- Lightweight for Increased Mobility
- Chromed Zinc Lug Casings
- 8 Sizes Available



CMB-1614/C

CMB-2814/C

Championship Pipe

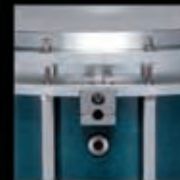
Performance and Tradition.

Technology Meets Tradition

The FFXP-1412 features a full free-floating shell formed with Pearl's HC/sms and a precision cut snare bed for the ultimate in snare response. Available in 4 ply Maple or Birch, both feature 4 ply reinforcement rings and a high strength Aluminum edge ring for added strength. The high strength lightweight aircraft aluminum frame offers extreme durability under the most aggressive tunings. Pearl's Quick-Release Snare System allows the removal of the entire unit with the turn of a knob for super easy head changes. The upper snare unit uses a 28 strand chrome-plated carbon steel snare that features exterior adjustability over tension and head contact via a standard drum key. Chrome plated snare guards provide a safe sitting platform and offer protection if dropped. Available in 5 high-gloss lacquer finishes.



FFXP-1412 shown in #125 Teal Blue



Upper Snare Exterior Adjustability



Lower Snare Unit and Chrome Snare Guards

PIPE SNARES

FEATURES

- 4 ply Maple Shells with 4 ply Reinforcement Rings for Optimum Tone
- Birch Shell Available (Special order only)
- Pearl Finalist Kevlar® Head
- Steel Snare Guards for Extra Protection
- Chrome Snare Wires Increase Brightness
- Aluminum Edge Ring Relieves Shell Tension
- Exterior Access to Top Snare Adjustment
- 45 Degree Bearing Edge for a Great Cutting Sound

Standard

- 4 ply Maple Shells with 4 ply Maple Reinforcement Ring
 - Die Cast Lugs
 - High-Gloss UV Lacquer
 - 2.3 mm SuperHoop II
 - Available in 3 Sizes

Special Order

- 4 ply Maple Shells with 6 ply Maple Hoops
 - Die Cast Rubber Lined Claws
 - Independent Head Adjustment
 - Aluminum Tube Lug
 - Available in 4 Sizes
- Special Order Only

Tenors That Really Sing

The perfectly matched compliment to our FFXP Snare Drums. These shells feature 4 ply Maple with 6 ply Maple hoops and new aluminum tube lugs for better tone and lighter weight. The case-hardened tension rods provide consistent head tensioning and the top and bottom heads are independently adjustable. Available in 4 sizes for a wide range of voicings.



TDP-1612 shown in #122 Black Mist



PTD-1612/C shown in #126 Emerald Mist



BDP2812 shown in #109 Arctic White

Bass That Will Blow Your Kilt Up

These drums offer huge low frequencies with resounding warmth. The 4 ply Maple shells with 1.5" Maple hoops have aluminum tube lugs for maximum resonance and reduced weight. These drums are scientifically engineered to provide the ultimate in bass response.

Special Order

- 4 ply Maple Shells with 6 ply Maple Hoops
- Available in 5 Sizes
- Aluminum Tube Lugs
- Die Cast Rubber-Lined Claws
- Designed To Compliment Our Entire Pipe Band Series
- High Gloss UV Lacquer Finishes
- 6 Acoustically Placed Air Vents

Standard

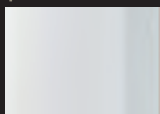
- 4 ply Maple Shells with 4 ply Maple Reinforcement Ring
- 1.5" 6 ply Maple Hoops
 - Available in 3 Sizes
- Angle-Cut Bearing Edges
- Oversized Triple Reinforcement Claws
 - Designed To Compliment Our Entire Pipe Band Series
- High Gloss UV Lacquer Finishes



PB-2814N/C shown in #122 Black Mist

PIPE BASSES

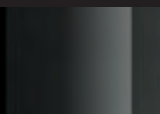
Standard High Gloss UV Lacquer Finishes



#109 Arctic White



#110 Sequoia Red



#122 Black Mist



#125 Teal Blue



#126 Emerald Mist



#160 Silver Sparkle



#165 Diamond Burst



#166 Black Sparkle

Special Order High Gloss UV Lacquer Finishes

Monoposto™

The bass carrier of tomorrow is here today.

MONOPOSTO CARRIERS

MAY Monoposto™ Bass Carrier

The most technologically advanced Bass carrier available today. All instrument weight is evenly distributed through the innovative three point system that creates a unity of one between drum and carrier, allowing unparalleled freedom of movement. The freedom to express yourself.

FEATURES

- Allows instant adjustment and positioning of Bass drum
- Amazing range of instrument adjustment for pinpoint playing positioning
- Extreme range of elevation adjustment for players and drums of all sizes
- Precision bent magnesium shoulders provide optimal comfort and extreme lightweight durability
- Inflatable MAY Comfort Air System allows even greater custom tailored fit
- MAY lock nut and attachment hook anchors the Bass drum to the carrier eliminating any unwanted instrument movement
- Monoposto hardware and seat for supporting bass drum integrates Stadium Hardware technology

Locking hooks eliminate side to side movement to prevent noise and increase mobility.

Aircraft aluminum MAY tubular structure creates rigid track for the mounting brackets to slide, rotate with silk-like ease and lock securely with a twist of the wrist.

Bass drum support pad is invertible to fit any size Bass drum and conforms naturally to any radius.



RM-MVT-MB Monoposto™ Bass Carrier

The freedom to move.

Ultra-light Polycarbonate abdomen plate is completely free-floating. It transfers minimal torque weight from the instrument, thereby increasing comfort.

Contour Hinge™

This changes everything.

Engineering from the future.

Folds to half its normal size for ease of transportation and space-saving storage.

MAY Contour Hinge™ Carrier

The revolutionary Contour Hinge™ offers a level of adjustability never before possible. Space age composites and advanced alloys merge seamlessly to follow the subtle lines of the human form. Art and engineering combine in one perfect purpose-built form.

RM-MVT-HS
Contour Hinge™
Snare Carrier

2 pivot points allow independent adjustment between the upper and lower frame and lock into place via one tension bolt.

FEATURES

- Allows independent adjustment to conform to both the upper and lower torso of the player
- Locks precisely in place with a single tension bolt
- Super flexible structure retains the high strength of all MAY Tubular carriers
 - Contour Hinge is designed to allow the retrofit of all Championship May carriers
 - Inflatable MAY Comfort Air System with adjustable backbar allows for ultimate custom tailored fit

A Rigid Platform

The May® tubular frame offers complete structural rigidity to hold the entire weight of the instrument. Minimal weight and torque is transferred to the player through the Polycarbonate abdomen plate.

RM-MVTS-HQ
Contour Hinge™
Quad Carrier

THE WIDEST RANGE OF EXTREME ARTICULATION EVER OFFERED IN A MARCHING CARRIER.

CONTOUR HINGE CARRIERS



Championship Magnesium

One size truly fits all.

¹²
Mg
24.3050 (6)

CHAMPIONSHIP MAGNESIUM



RM-MVTS
Flip-up Snare Carrier

- Precision bent Magnesium shoulders provide optimal comfort and extreme lightweight durability.

MAY Magnesium Tube Carriers



Magnesium shoulders are padded for optimal comfort and allow anterior adjustment inward and outward to fit any player regardless of size.



Magnesium back bar slides together or apart for posterior adjustment. Set it to your size and lock it for a truly personal fit. MAY Comfort Core Cushions line the back bar for superior comfort and weight distribution.

Shoulder Angle Adjustment

Simply loosen one tension bolt per side and the Magnesium shoulders pivot easily on the aluminum tubes for angle adjustment of your carrier for an even more personalized fit.



FEATURES

- Magnesium Vest Abdomen profile offers outstanding lightweight comfort and a custom fit
- Fully rotating magnesium shoulders allow angle adjustment of the carrier for form fitting comfort
 - New dual tube rod clamps transfer all torque load to the Aluminum tubes to distribute the load evenly throughout the carrier frame
- Polycarbonate abdomen plate carries minimal load
- Comfort Core® cushions disperse weight evenly and absorb shock from intense movement



FFSA-S

FFSA-G

Our tilting FFSA Free Floating Snare attachments mount securely to the tension rod connecting tubes of the drum without any shell contact to allow quick mounting and removal of your snare drum. Available in Aluminum or Magnesium which is approximately 40% lighter.



Full Height Adjustment

May Tubular carriers allow an amazing range of adjustment for height to accommodate players of all ages, shapes and sizes.

Championship Magnesium

The carrier of Champions.

FEATURES

- RM-MVTQ Quad/Quint Carrier features MAY Advanced Variable Positioning System that allows easy adjustment to the Tenor Rail from close to away
- RM-MVTB features independently adjustable J-Rods and top hooks on sliding tracks



RM-MVTB
Magnesium Bass
Drum Carrier

RM-MVTQ
Flip-up Quad/Quint/Sextet Carrier

Adjustable Tubular Tenor Rail

This adjustable tubular tenor rail retrofits to all Championship carriers and provides easy on/off access, full tilting ability and maximum adjustability for perfect tom placement.



ADVANCED VARIABLE DISTANCE POSITIONING SYSTEM

Advanced Variable Distance Positioning System

MAY AVDP system allows perfect alignment to set your preferred playing line. Each tom also has the ability to swivel inward or outward for pin-point positioning and optimal instrument placement. Nothing compares to this level of control.



CHAMPIONSHIP MAGNESIUM

Lightweight freedom of movement.

MAY Aluminum Tube Carriers

MAY aluminum tube carriers offer super lightweight design with great adjustability. These carriers feature a smaller, contoured aluminum abdomen plate instead of Polycarbonate found on the Championship Magnesium. The lightweight highly padded aluminum shoulder supports rotate fully for optimal fit sans the adjustable back bar found on the Championship series.

Features

- Lightweight aluminum abdomen plate provides form fitting comfort and even weight distribution for optimal mobility
- Aluminum shoulder supports offer full rotation adjustability
 - Full height adjustability for torso and perfect instrument placement
- Adjustable back bar is available separately

CHAMPIONSHIP ALUMINUM



RM-ALTS
Snare Carrier



RM-ALTB
Bass Carrier

- RM-ALTB features independently adjustable J-rods and top hooks on sliding tracks to fit any size bass drum.



RM-ALTQ
Flip-up Quad/Quint/Sextet Carrier

- The RM-ALTQ features MAY Variable Distance Positioning System that allows the drums to be moved from close to away.

Competitor T-Bar

For the competitor in you.

COMPETITOR T-BAR

MAY Competitor T-Bar Carriers



CQC-4
Quad Carrier

- CSC-1 are designed to accept our Competitor Series Marching snares. Lightweight, easy on, easy off.

Competitor Series tom carriers are available in 3 configurations. The tenor rail separates quickly for easy fit in cases.

- CTC-3S - 8", 10" & 12"
- CTC-3M - 10", 12" & 13"
- CQC-4 - 8", 10", 12" & 13"



- CBC-1 Bass carriers offer a perfect fit for our Competitor Series Bass drums.



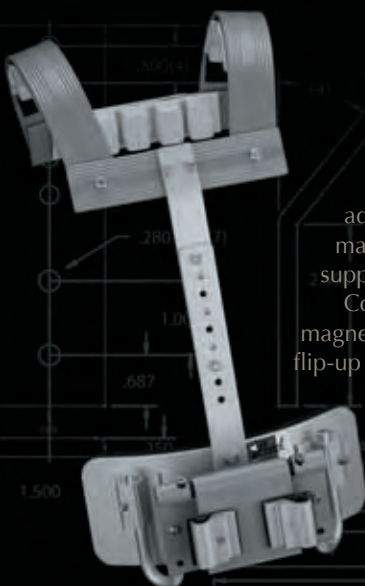
Quick Release Tenor Rail

The Competitor Series tenor rail separates quickly for easy transportation or storage in any case.

- CH-5S-Carry Hook mounts securely to the FFXP edge ring.

Pipe Band Carriers

Pipe carriers by MAY offer the state-of-the-art in lightweight marching performance. Form fitting comfort that hugs your body like a second skin and allows unencumbered freedom of movement.



- MPC-1 features adjustable back bar, magnesium shoulder supports with Comfort Core® cushions and magnesium free-floating flip-up snare attachment.

MPC-1
Magnesium Tilting
Snare Carrier



- EAPC-1 features Aluminum shoulder supports and an Aluminum Free-Floating Flip-up snare attachment.

EAPC-1
Aluminum Tilting
Snare Carrier



LR-30 Leg Rest
Lightweight support for FFXP.

Carrier Accessories

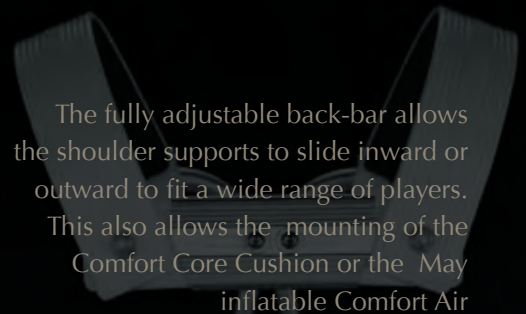
Everything For Your Carriers.



FFSA-S Aluminum
Free-Floating
Snare Attachment



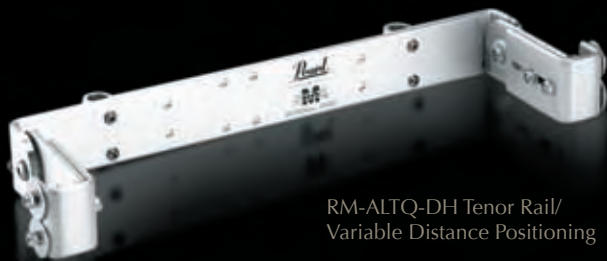
FFSA-G Magnesium
Free-Floating
Snare Attachment
(40% lighter than Aluminum)



The fully adjustable back-bar allows the shoulder supports to slide inward or outward to fit a wide range of players. This also allows the mounting of the Comfort Core Cushion or the May inflatable Comfort Air



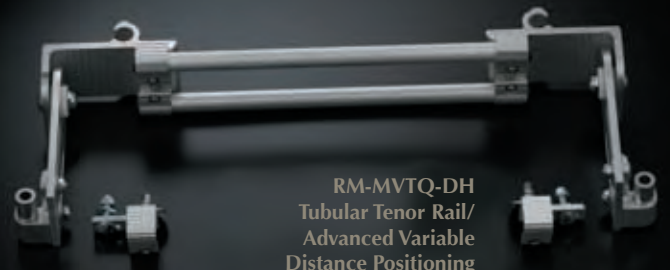
RM-ABB Aluminum
Adjustable Back Bar



RM-ALTQ-DH Tenor Rail/
Variable Distance Positioning

Allows retro-fit of existing carriers to incorporate Advanced Variable Distance Positioning that allows Tenors to be moved near the player or away. Compatible with all J-Rod carriers.

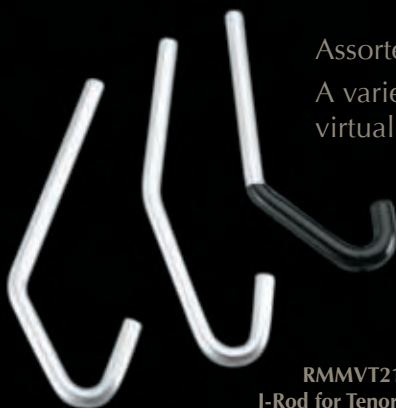
Flip up Quad/Quint Carrier. Variable Distance Positioning. Compatible with all J-Rod carriers



RM-MVTQ-DH
Tubular Tenor Rail/
Advanced Variable
Distance Positioning

MAY ACCESSORIES

Assorted J-Rods
A variety of J-Rods to fit
virtually any application.



RMMVT21BL
J-Rod for Bass Carrier

RMMVT21TL
J-Rod for Tenor Carrier

RMMVT21S
J-Rod for Snare Carrier

DDPTMB Set of 3



Pivoting Tubular Mounting Brackets for
Magnesium Backbar

Everything For Your Carriers.

The Cushion of Foam

Comfort Core Cushion attach with Velcro strips to the carrier shoulder support or back bar for super weight distribution.



MCC-1
Comfort Core Cushions



Inflatable MAY Comfort Air

Optimum Air Ride Adjustability

These removable air chambers allow complete adjustability over firmness for increased comfort. Simply insert one end of the hand pump to inflate and flip it to the opposite end to decrease pressure.

Retro-Fit Contour Hinge

Allows retro-fit of existing tube carriers to Contour Hinge technology. Bring the latest technology to your carrier without the cost of a full carrier.



RM-RTH
Contour Hinge
w/ Tubes



PDCH-Custom Fit Case for
Contour Hinge Carrier

Protection For Your Contour Hinge Carriers

The custom molded case protects your Contour Hinge carrier during storage or transit. Complete with locking strap and carrying handle. 4 Unique indentions at each corner facilitates stacking of multiple cases securely.



MAY ACCESSORIES

All MAY carriers are covered under various US Patents including but not restricted to 6,323,407, 6,329,583 B1, 5,691,492, 6,028,257, 6,028,290 B1, 6,403,869 B2, 6,770,805 B2, and 6,881,886 B2. Plus other US and foreign patents pending.

★★★★★
Randall May International™
★★★★★
M
INC.

Stadium Hardware

At home in the stands or in the field.



MAY Stadium Hardware™

MAY Stadium Hardware™ offers a complete system of hardware designed to function in the stands or in the field. Constructed from super lightweight ribbed aluminum extrusions, Stadium Hardware™ provides perfect angle sets, a low center of gravity and dependable high strength.

Features

- Offers extremely fast setup and tear down
- Light weight Aerospace Aluminum construction allows easy transportation
- Legs moves to allow extreme angle adjustments and compensates for uneven playing environments
- Rounded rubber feet provide sure footing in stadium bleachers or on flat surface
- Large locking collars offer easy access
- Solid locks for instrument rock solid height/angle positioning
- Stainless Steel fasteners offer high strength and resistance to rust

- RM-SHS-P snare stand accepts the FFSA snare attachment for drop-on mounting and super quick removal. A built-in snare stabilizer prevents any metal to metal contact and stops lateral movement of the drum.

STADIUM HARDWARE



RM-SHS-P
Snare Drum Stand

Sure-footed performance.



Snare Stabilizer

A sliding, locking, plastic bumper that accommodates any size snare and prevents movement and metal clicking.



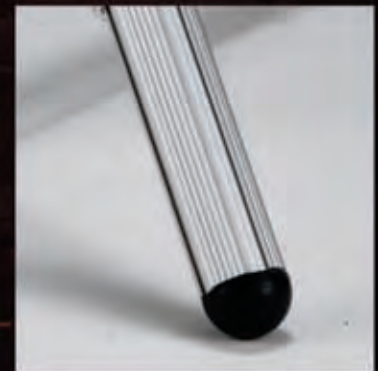
Locking Tube Joint

High strength locking collars slide precisely on the ribbed extruded tubes and lock with precision authority.



Fast Snare Attachment

Snare Stand accepts a portion of the FFSA attachment. Simply drop it in place and the weight of the instrument keeps it firmly in place.



Optimal Traction Control

The newly designed rounded rubber feet offer traction on virtually any even or uneven surface. From the parking lot to the stands your instrument stays put.

Get into the Groove

The deep grooves of the ribbed aluminum extrusions create a track for the leg support to slide effortlessly up and down then lock into place for bleacher application.



Advanced Tripod Technology

At the heart of the Stadium Hardware is the patented ATS (Advance Tripod System) that allows the leg to adjust to any surface. Each leg is supported by double braced support struts that prevent lateral movement. The large rubber feet provide "Mountain Goat" traction on almost any surface.

STADIUM HARDWARE

Stadium Hardware

At home in the stands or in the field.

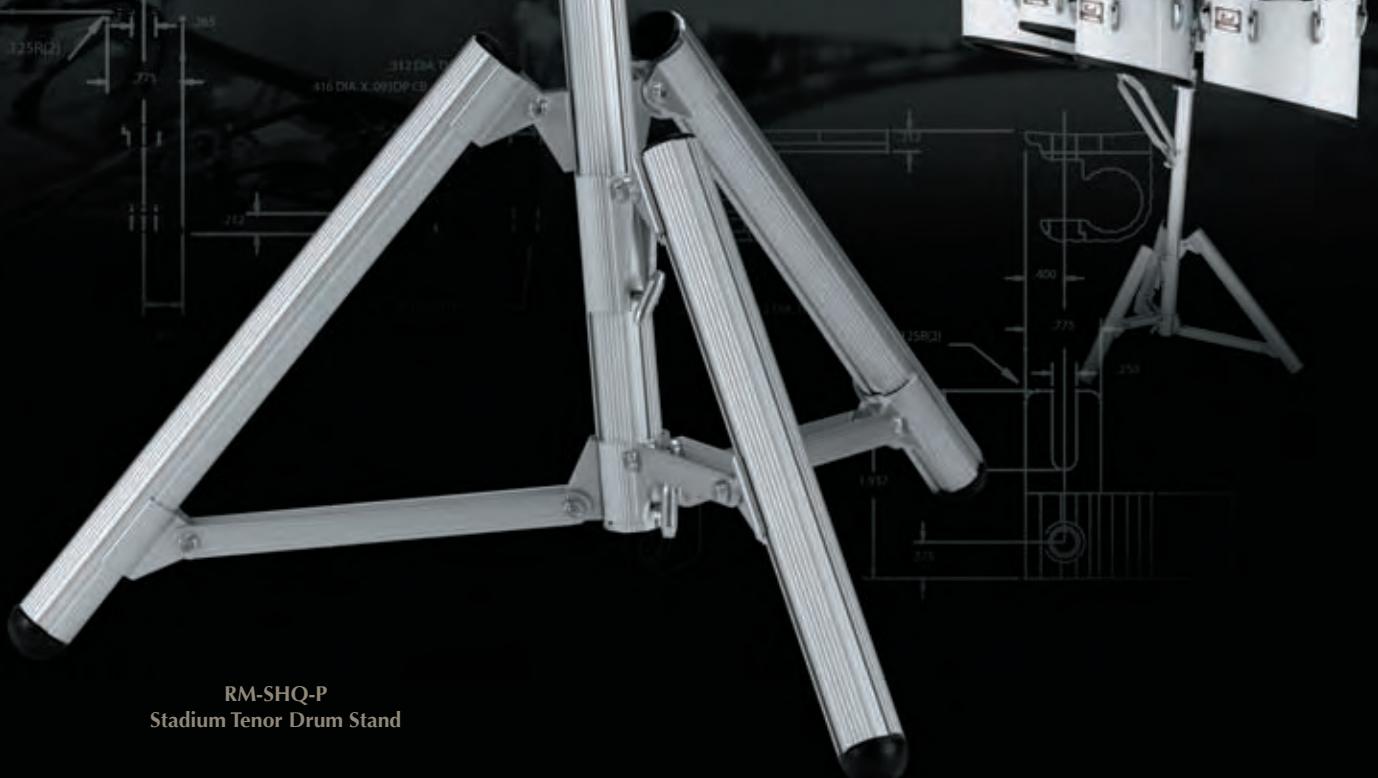
STADIUM TENOR STAND



MAY Stadium Hardware™

MAY Stadium Hardware™ offers a complete system of hardware designed to function in the stands or on the field. Constructed from super lightweight ribbed aluminum extrusions, Stadium Hardware™ provides perfect angle sets, a low center of gravity and dependable high strength.

- RM-SHQ-P Stadium Tenor stand fits Championship Tenor drum components. The hinged double-braced stabilizing arm adds stability to tenor drums, and maintains perfect instrument positioning and prevents tom bouncing during performance.



RM-SHQ-P
Stadium Tenor Drum Stand

Stadium Handware

At home in the stands or in the field.

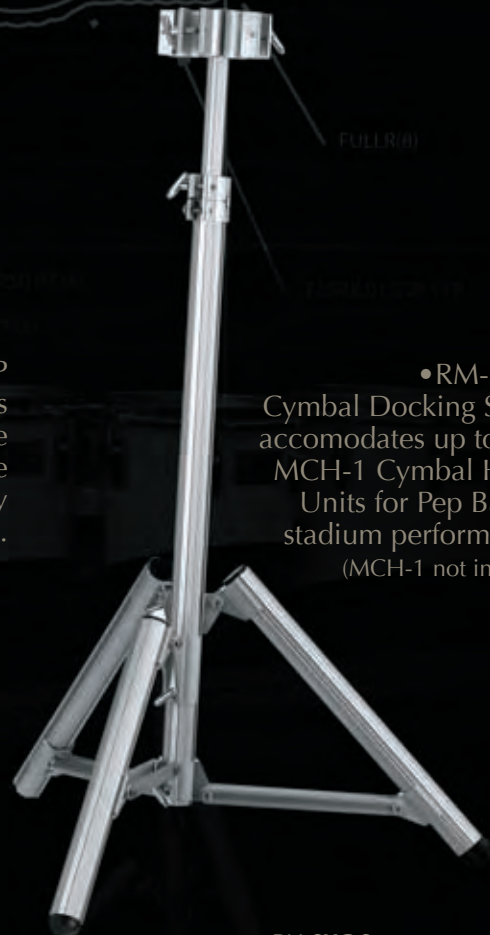
STADIUM BASS & CYMBAL STAND

Drop and Lock Technology
Drop and Lock technology allows gravity to do all the work. Simply set the Tenor rail down in the angled cradle and the weight of the Tenor drums locks into position. Perfect playing height, no lateral movement and super fast accessibility.



RM-SHB-P
Stadium Bass Drum Stand

- RM-SHB-P Bass drum stand features a sturdy drum corps style cradle to hold any size drum securely on any surface.



RM-SHC-S
Cymbal Docking Station

- RM-SHC-S Cymbal Docking Station accommodates up to three MCH-1 Cymbal Holder Units for Pep Band or stadium performances. (MCH-1 not included)



Hardware Built to Perform

Pearl's Advanced Hardware is packed with features to make every aspect of your playing experience better. From oversized rubber feet for super stability to the ergonomically designed adjustment knobs, everything in your favor to perform.

S-1000

- Accepts Drums From 12"-14" Diameter
- GyroLock Tilting System
- Sure Strut Legs for Rigidity
- Air Suspension Rubber Tips Cradle Drum Securely Without Shell Dampening
- Oversize Rubber Feet Provide Optimal Grip on any Terrain
- UltraGrip Wingnuts



Air Suspension Tips feature soft rubber to gently cradle the drum shell

Cradle tension is precise and easy to adjust via the smooth oversized knob

GyroLock Tilter allows an amazing range of motion

HARDWARE

S-2000

- Accepts Drums From 10"-16" Diameter
- GyroLock Tilting System
- Double Strut Legs for Rigidity
- Large Rubber Tips Cradle Drum Securely Without Shell Dampening
- Oversize Rubber Feet Provide Optimal Grip on any Terrain
- Push-Button Retractable Spikes

S-2000 features large rubber feet with retractable spiked feet that appear with the touch of a button





S-1000L

- Taller Version of S-1000
- Accepts Drums From 12"-14" Diameter
- GyroLock Tilting System
- Double Strut Legs for Rigidity
- Large Rubber Air Suspension Tips Cradle Drum Securely Without Shell Dampening
- Oversize Rubber Feet Provide Optimal Grip on any Terrain



S-1000LS

- Single Braced Version of S-1000L
- Accepts Drums From 12"-14" Diameter
- GyroLock Tilting System
- Large Rubber Air Suspension Tips Cradle Drum Securely Without Shell Dampening
- Oversize Rubber Feet Provide Optimal Grip on any Terrain



S-1000/S-1000L features large rubber feet for optimal stability on any terrain.



MTS-2000

- Rock Solid Stability for Marching Toms
- Holds Toms Without Carrier
- Uni-Lock Tilter
- Oversize Rubber Feet Provide Optimal Grip on any Terrain
- Perfect for Pit Performers
- Compatible With J-Rod Based Rail Systems



Gear Tilter provides perfect angle settings and solid locks. Large steel mounts allow quick, intuitive on and off action.

VC-52N

Adapts MQC-4 Aluminum Quad Carriers to fit MTS-1000/2000 Tom Stands

Accessories

Enhance your Gear

Protect your investment on the field with genuine Pearl covers. Made from washable fabric with padded interiors for the ultimate in custom fit and protection for your instruments rain or shine.



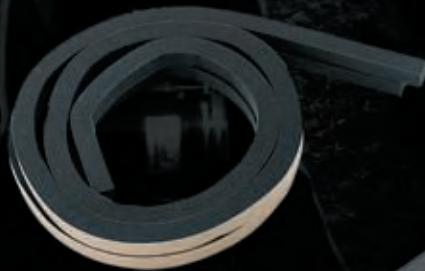
MDC-14
Snare Cover

MDC-20
Bass Cover

MDC-8023
Tenor Cover

- SP-1B 14" Sound Projector with Velcro tape mounting

TS-14 Bass Drum Tone Strips
Self adhesive and mounts directly to the bass head for easy muffling



- SP-1 14" Sound Projector with Velcro tape mounting



Protect your equipment while in transit or long term storage with Pearl cases. Custom molded for an exact fit with a heavy duty carrying handle.



PD-1412
Snare Case

PD-8004
Tenor Case

PD-2214
Bass Case



• PGB-10 Gock Block Holder
Cushy foam handle absorbs vibrations and prevents hand fatigue. Ergonomic design makes it easy to strike and hold.

MSB-2 Double stick bag with Velcro mounting
Nylon construction

MMB-1 Mallet holder with Velcro straps for marching tenors

MSB-1 Nylon construction with Velcro mounting single bag

BMH-1 Set of 2 mallet holders with tape for Bass Drum mount
Holds 2 pair of mallets



MUH-10 Multi use holder for cymbals or Bells.
Mounts to drum rim.



BDR-1 Bass Drum Rim Shooter
Protects your Bass hoops from damage and provides an increase in click volume.

MUH-20 This specialized clamp mounts to the tension posts of your drum to accept a world of percussion opportunities. Any accessory that can be mounted on a 3/8" post can be added for effects.

K-030 High tension tuning key with super leverage via its easy grip handle.

KGT-00 The most ergonomically friendly drum key that you will ever use. Spins freely and has interchangeable color inserts. Complete with quick release strap.

K-050 Our standard tuning key. Small enough to keep virtually anywhere.

Replacement Parts

Everything For Your Pearl Drums.

PARTS



TSP-102
Tension Rod
Fits all 14" FFX Series

TSP-102S
Tension Rod
Fits all FFXP Series

TSP-103
Tension Rod
Fits all 13" FFX Series



CO-55AL
High Strength Lug casing
for Marching Tenors

C-072 AL
Low Mass Bass Lug.
Fits all Championship Series.



ME-262NA
Stainless Steel Snare Guard
Fits all FFX Series



S-115RA
Throwoff for FFX Series
Strainer Assembly.
Mounts to tension posts



S-115BA
Butt Assembly for FFX Series
Mounts to tension posts



S14MBA
Butt Side Strainer Assembly for
CMS/CMSX Snare Drums

S14MPA
Lever Action Throwoff
Assembly for CMS/CMSX
Snare Drums



REPLACEMENT SNARES



S-505TC / FFXP1412
Top 28 strand snares for Pipe Snare Drum batter head snare assembly. High Grade Carbon Steel with Chrome finish for increased brightness.



S-505T / FFXP1412
Top 24 strand snares for Pipe Snare Drum batter head snare assembly. Thinner snare wires.



S-505S / FFXP1412
Bottom replacement snares for Pipe Snare Drum.



GS-416A / FFX Series
16 strand Gut replacement snares for 14" FFX



GS-142 / Competitor
Replacement synthetic snares for 14" CMS/CMSX Plastic ties included.



EB-1 Eye Bolt
Allows proper mounting of Bass Drums to carriers. Fits all sizes. 2 required.



D-042 Triple Reinforced Bass Claw
Ultimate dispersion of clamping force for Bass Hoops. Promotes precise, even head tuning. Fits Championship and Competitor Series.

REPLACEMENT BASS HEADS

A complete selection of Bass Drum Heads are available to fit every size and series. Smooth White, Ebony, Fiberskyn and Nuskyn by Remo® simulate the warmth of natural calf heads without the maintenance. From 14" to 40"



REPLACEMENT SNARE & TOM HEADS



Pinstripe CT WA CC ST Black Max White Max Falam K Finalist

- Pinstripe heads feature a built in muffling ring to prevent overtone
- CT heads are 10 mil polyester for high tension Toms
- WA heads are coated 10 mil polyester for Concert and Marching
- CC heads are 10 mil with a 5mil center dot and Aluminum collar for high tension use
- ST is the snare side companion to the CC
- Black Max & White Max batter heads combine woven Aramid fiber with Mylar for a softer feel
- Falam K Batter heads are 2 plies of polyester with a center ply of Kevlar® for high strength
- Finalist is the ultimate high strength Kevlar® head designed to withstand the stress of Pipe Band tunings

Philharmonic Series Snare Drums

The Most Dynamic Snares You'll Ever Experience

Pearl is proud to offer our Philharmonic Concert Snare Drums, featuring the revolutionary Triad Silent Strainer System. These incredible drums represent state of the art design and craftsmanship, combined with groundbreaking innovation allowing the player unprecedented control over the tone, dynamics and performance of the instrument. A proprietary combination of three unique snare sets, using both graduated and even tensioning, offers seamless timbral overlapping and ultra-smooth dynamic transition, plus a greatly extended dynamic and sensitivity range. The new Triad Silent Strainer provides three individual tension adjusters allowing you to fine tune the optimum tension for each type of snare material, and a single global adjuster is used for overall tension. All snares can be effortlessly changed by simply loosening the adjuster and one drum key rod.

FEATURES

- Triad Silent Strainer System
- Tube Lugs
- Graduated Tension Snares
- Remo Renaissance Heads
- Vintage Style Snare Bed
- Extremely Wide Dynamic Range
- 3 Shell Options

3 Thumbscrew Tension Adjusters allow easy access to individual snare strand tuning or adjust them all simultaneously via the large precision global tuning knob.

7.5 mm solid Maple shell provides the fullest, darkest and warmest timbre

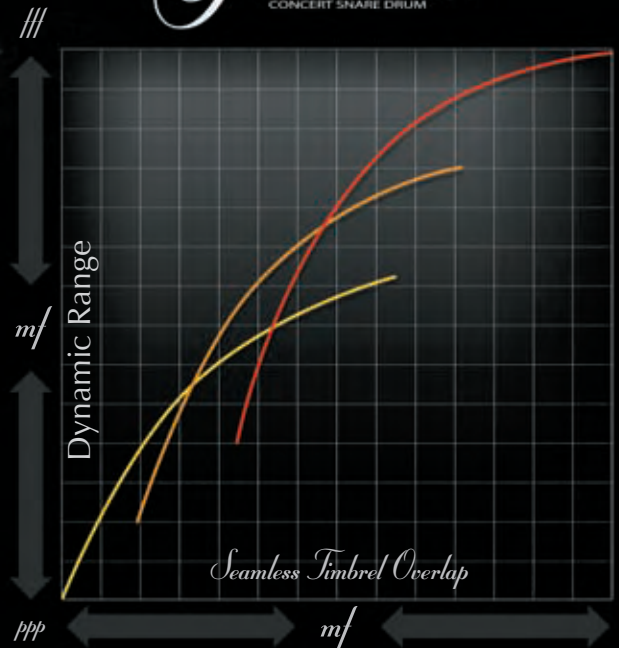


PHM-1465

14" x 6.5" Solid Maple Shell

Die Cast Hoops

Also available in 14" x 5" and a choice of 2 finishes, #103 Piano Black or #204 High Gloss Walnut Bordeaux



Snappy Wire- Wet timbre with articulate sensitivity

Uncoated Stainless- Even tension bright and very saturated

Graduated Tension- smooth dynamic transition similar to gut

The vintage style snare bed provides every nuance of your performance by promoting perfect snare to head contact

Philharmonic Series Snare Drums

It's All About Choices.

3 mm Aluminum offers superior cut and brightness with intense volume

6 ply Maple provides powerful volume with the warmth that is inherent to Maple



PHA-1440
14" x 4" 3mm Cast Aluminum Shell
Single flange Hoops w/ Claw Hooks



PHP-1440
6 ply Maple Shell
Single flange Hoops w/ Claw Hooks
Also available in 13" x 4" PHP-1340



PHA-1450
14" x 5" 3mm Cast Aluminum Shell
Die Cast Hoops



PHP-1450
14" x 5" 6 ply Maple Shell
Die Cast Hoops



PHA-1465
14" X 6.5" 3mm Cast Aluminum Shell
Die Cast Hoops



PHP-1465
14" x 6.5" 6 ply Maple Shell
Die Cast Hoops
Also available in 14" x 8" PHP-1480



PHF-1616



PHF-1412

Philharmonic Field Drums
All the emotion of vintage Civil War drums but with complete tuning ease. These drums feature 6 ply Maple shells with SuperHoop II Steel rims, vintage style tube lugs and our Triad Silent Strainer System. Available in 2 sizes, 14" x 12" or 16" x 16" in a choice of finishes, #103 Piano Black or #101 High Gloss Walnut

PHILHARMONIC SNARE DRUMS

Symphonic Series Snare Drums

A Symphony of Sound.

A Symphony Awaits

Symphonic Series Snare Drums provide a highly versatile instrument to the modern performer. Developed exclusively for the concert hall these drums feature shell construction of 6 ply Maple in a choice of 2 shell depths, 6.5" and 5.5". The heart and soul of these drums is the proprietary Multi-Timbre Snare Strainer System that functions as 3 individually controlled throw-offs. This feature allows individual control over tension and positioning of each snare strand material, gut, cable or wire. Classic Tube lugs, Stainless Steel Tension bolts and Pearl's solid Steel Die Cast Hoops provide uncompromising tuning integrity for the Renaissance Diplomat heads. Available in #138 Antique Sunburst



SYP-1455
14" x 5.5" 6 ply Maple



SYP-1465
14" x 6.5" 6 ply Maple

Features

- Multi Timbre Snare Strainer allows Individual Control Over Each Snare Strand
- 3 Snare Materials, Gut, Cable and Wire
 - Die Cast Steel Hoops
- Remo Renaissance Diplomat Heads
 - 6 Ply 7.5mm Maple Shell
- 2 Sizes, 14" x 6.5" and 14" x 5.5"
 - Classic Antique Sunburst Finish

A Unique Trio

The Multi Timbre Snare Strainer provides quick access to each of the 3 separately adjustable throw-offs. Each lever controls 6 strands of gut, cable or wire. Complete snare tension adjustment is fine tunable via the 3 individual knobs for a vast range of aural coloring.



Multi-Timbre Snare Strainer System

Concert Series Snare Drums

Affordable High Quality.



Sound Value

Pearl's Concert Snare Drums are packed with high end features at a price that makes them an outstanding value. Available in 2 sizes, these drums offer many of the features of our flagship models but at a cost any drummer can afford. These contenders feature 6 ply all Maple construction, Tube lugs, SuperHoop IIs and Pearl's time proven SR-017 strainer that utilizes 7 strands of thin Yellow cable and 7 strand Stainless Steel cable.

Features

- 6 ply Maple Shell Construction
- Vintage Tube Lugs
- SR-017 Strainer
- 2 Snare Materials, 7 Strand Thin Yellow 7 Strand Stainless Steel Cable
- SuperHoop IIs
- Remo Renaissance Heads
- 2 Sizes, 14" x 6.5" and 14" x 5.5"
- Available in #102 Natural or #103 Piano Black



CRP-1455
14" x 5.5" #102 Natural



CRP-1465
14" x 6.5" #103 Piano Black

Dynamic Duo

Coated Snare Cable and Stainless Steel Snare Cable are uniquely angle mounted together on a single SR-017 Snare Strainer to emulate graduated tension, and to provide both excellent volume and extreme sensitivity while maintaining a constant, full-bodied orchestral snare timbre.



CONCERT SNARE DRUMS

Philharmonic Toms

Uncompromising Sound.



Philharmonic Series
Concert Toms

Articulate Midrange Power

Pearl's Philharmonic Concert Toms offer the ultimate in uncompromising sound and craftsmanship with their 4 ply 100% African Mahogany shell construction. The Symphonic Series provide many of the same features as our Philharmonic line but incorporate 6 ply Maple shells. Both Series are available as single or double-headed versions. The single head version uses our I.S.S. mounting system while the double-headed Toms use our state-of-the-art Optimount System.

Philharmonic

- 4 ply African Mahogany with 4 ply Maple Reinforcement Rings
- 2.3 mm SuperHoop II Rims
- Single or Double Headed Models Available
- OptiMount Mounting System on Double Head Series
- I.S.S. Mounting System on Single Headed Series
- Renaissance Ambassador Heads
- #210 Matte Walnut Lacquer Finish
- Available in 8 sizes



Optimount attaches to the top and bottom lugs to prevent any contact with the shell. This promotes maximum resonance and sustain.

Symphonic

- 6 ply Maple
- 2.3 mm SuperHoop II Rims
- Single or Double Headed Models Available
- OptiMount Mounting System on Double Head Series
- I.S.S. Mounting System on Single Headed Series
- Renaissance Ambassador Heads
- #201 Matte Walnut Lacquer Finish
- Available in 8 sizes



I.S.S. Integrated Suspension System mounts firmly to the rim eliminating possible shell dampening.



Symphonic Series
Concert Toms



Concert Series
Concert Toms

Aural Artillery

Pearl's Concert Series Concert Toms offer a wide range of tuning and performance possibilities, suiting percussionists from the concert hall to the outdoor stadium. Superb tone and excellent projection can be achieved from our 7 ply 100% Mahogany shells and extended depth. Our newly redesigned low mass tension lugs and 1.6mm Steel Hoop extends shell resonance and offers accurate fine tuning. Each tom is supported by its own independently adjustable tom arm offering limitless positioning possibilities. Included with each pair of toms is our sturdy T800W double tom stand. Pearl Concert Series toms are available in pairs and are finished in a prestigious Midnight Black #46 covering. Current available sets: 6x8/8x8, 10x10/12x10, 13x11/14x12, and 15x14/16x14.



1.6 mm Steel rims combined with low mass lugs extend shell resonance and provide accurate fine tuning.

Features

- 7 ply Mahogany Shells
- 1.6 mm Steel Rims
- Available in 4 Sets or 8 individual sizes
- Sets include T800W Double Tom Stand
- Finished in #46 Midnight Black Covering



T800W double Tom stand uses our sturdy TH-88S Tom arms and the highly versatile gear tilter.



Philharmonic Bass Drums

Unprecedented Response

A Higher Level of Bass

Philharmonic Concert Bass Drums offer unprecedented bass response. The 4 ply African Mahogany shells provide a deep warm resonance unlike any other shell material. The highly responsive shells are supplemented by 4 ply Maple reinforcement rings for structural integrity. 2" Maple hoops provide a rigid foundation for our *Silent Tensioning System* that utilizes very low mass lugs with 12 ergonomically designed tuning keys featuring 8 mm Handle bolts for optimal leverage and tuning ease. This series of bass drums feature the Remo Fiberskyn® heads formed from a single ply 10 mil Mylar film. These super durable heads are designed to promote a dark, warm sound with extended sustain. Available in 4 sizes and finished in #210 Matte Walnut Lacquer.

Features

- 4 ply African Mahogany
- Remo Fiberskyn III ® Heads
- Silent Tension System
- Low Mass Lugs
- 12 8mm Handle Bolts
- Available in 4 Sizes
28"x14", 32"x16"
36"x16", 36"x18"



Web Style mounting promotes shell resonance



8mm Handle Bolt Tuners



PBA-3618 Philharmonic Concert Bass Drum shown with STBD-36 Suspension Stand

Symphonic Bass

The Symphonic Series Concert Bass Drums provide many of the same features as our Philharmonic Series such as our Silent Tension System and Fiberskyn III ® heads. 6 ply Maple shell construction provides solid, resounding bass with a slightly shorter decay than Mahogany. The 2" Maple hoops offer constant tuning via the 10 triple reinforced flanges secured to the lightweight aluminum casings.

Features

- 6 ply Maple
- Remo Nuskyn® Heads
- Silent Tension System
 - Low Mass Lugs
- 10 Triple Flange Lugs
- #201 Matte Walnut Finish
- Available in 7 Sizes
28"x14", 32"x16"
32"x18", 36"x16"
36"x18", 36"x20"
36"x26"

PBM-3626 #210 Matte Walnut Shown with a CBS-80 Concert Bass Drum Stand

CONCERT BASS



A New Low in Performance.

Concert Series Bass Drums

This series of Bass Drums has a thicker 7 ply Mahogany shell that provides dynamic projection and extreme volume making them the perfect choice for field or stadium performances. Available in 4 unique sizes and finished in #46 Midnight Black covering. Add The STBD-36F Suspended Stand with our legendary Field Frame Wheels and you have the ability to navigate your Bass Drums over virtually any terrain. It adjusts for height and angle while keeping the shell free to resonate fully via its rubber web mount. Each oversize wheel has its own independant locking mechanism for dependable placement.



PBA-3618 Concert Series Bass Drum shown with STBD-36F Suspension Stand with Field Frame Wheels

A Place For Your Bass

Pearl offers a wide range of stands for your Bass Drums. From the lightweight, easy to transport CBS-15 Folding Stand to our full no compromise Suspension Stands. The Aluminum CBS-38A incorporates spiked feet and footrest for comfort, while the CBS-38C offers heavy duty caster feet with locks. Both provide adjustable tilt and allows for varying drum depths.



CBS-15



CBS-38C



CBS-38A



S-1000L

- Longer Main Tube for Greater Height
- Double Braced Legs for optimal stability
- Gyro-Lock Tilter

S-1000LS

- Longer Main Tube for Greater Height
- Single Braced Legs for Less Mass
- Gyro-Lock Tilter



S-2000

- Snare Basket Accepts 10"-16" Drums
- Gyro-Lock Tilter
- Air Tip Suspension
- Push-Button Retractable Spike Feet



S-1000

- Snare Basket Accepts 10"-16" Drums
- Gyro-Lock Tilter
- Air Tip Suspension
- Over-Sized Rubber Feet



S-1000D

- Lower version of S-1000
- Snare Basket Accepts 10"-16" Drums
- Gyro-Lock Tilter
- Air Tip Suspension
- Over-Sized Rubber Feet



TX-100

Height Extender will help add height to your S-1000 and S-2000 Snare stands. The 13" tube slides into the base of your Snare stand.



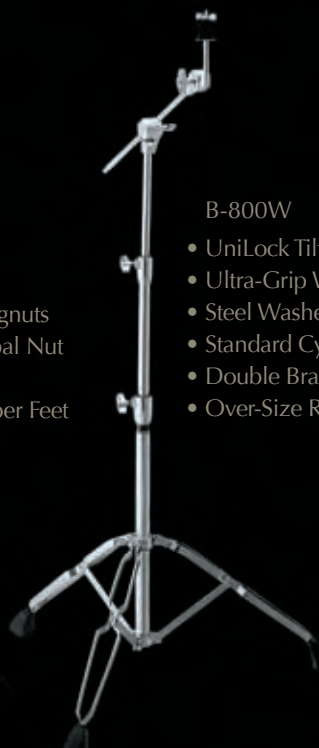
BC-2000

- Gyro-Lock Tilter Allows full 360° movement
- Removeable Counterweight
- Die Cast Joint
- Ultra-Grip Wingnuts
- WingLoc Cymbal Nut
- Sure Strut Legs
- Over-Size Rubber Feet



B-1000

- UniLock Tilter
- Die Cast Joint
- Ultra-Grip Wingnuts
- WingLoc Cymbal Nut
- Sure Strut Legs
- Over-Size Rubber Feet



B-800W

- UniLock Tilter
- Ultra-Grip Wingnuts
- Steel Washer
- Standard Cymbal Nut
- Double Braced Legs
- Over-Size Rubber Feet



C-800W

- UniLock Tilter
- Ultra-Grip Wingnuts
- Steel Washer
- Standard Cymbal Nut
- Double Braced Legs
- Over-Size Rubber Feet



Functional Form

Pearl Roadster Thrones are designed to be ergonomically correct and provide support and comfort for extended performances. The D-2000TC Timpani/Conductor's Throne has a Dual-Zone cushion, sturdy footrest and adjustable back rest while the D-1000T features a round cushion. Both offer superior height and maximum adjustability.

- Super Quiet Double Strut legs
- Solid 4 leg Design
- Over-Sized Rubber Feet
- Dependable Clam Shell Clamp



D-2000TC



D-1000T

Cymbals At the Ready

The C-1000SC Goose Neck Cymbal Stand allows the suspension of any cymbal ready for striking. The stand adjusts for height and has single braced legs for light weight. The C-1000AC Orchestral Cymbal Cradle holds 2 cymbals at the ready for quick access. Rubber coated cradles maintain quiet during retrieval and replacement.



C-1000SC

C-1000AC

Advances in Hardware

Pearl's Advanced Hardware offers positioning possibilities never before attainable. The GyroLock Tilter used on the 2000 Series allows a complete 360 degree range of movement for infinite adjustability. The 1000 Series uses our super dependable UniLock Tilter. All Advanced Hardware provide sure-footed, noise-free operation for years of service.

T-2000
Double Tom Stand

- GyroLock Tilter
- TH-2000s Tom Arms
- AX-38 Adapter
- Double Braced Legs
- Over-Size Rubber Feet

T-1000
Double Tom Stand

- UniLock Tilter
- TH-1000s Tom Arms
- AX-38 Adapter
- Double Braced Legs
- Over-Size Rubber Feet

T-800W
Double Tom Stand

- GyroLock Tilter
- TH-2000s Tom Arms
- AX-38 Adapter
- Double Braced Legs
- Over-Size Rubber Feet



Learn With Quality Instruments.

Start With Pearl Quality

The perfect start to a career in percussion begins with high quality instruments. Pearl Educational Kits contain superior components that are fast and easy to assemble and store away in their own custom made carrying cases for ease of transport.

ED KITS



PL-800 Percussion Learning Center PL-800C w/Rolling Cart

- 2.5 Octave Bells (F5-C8)
 - Note Name Stickers
- 13"x5" Steel Snare Drum
- 8" Tunable Practice Pad
 - Music Rack
- Nylon Backpack Style Case
 - Reflective Safety Stripe on Backpack Offers High Visibility
- * PK-800C Features Rolling Cart
 - Mallets w/25mm Heads & Woden Handles
 - Vic Firth Sticks
 - Educational CDROM
 - Quick Release On/Off Stand

PL-800C
Percussion Learning Center

SK-800 Snare Kit SK-800C w/Rolling Cart

- 14"x5" Steel Snare Drum
- Heavy Duty Snare Stand
- Gladstone Style Practrice Pad
- Nylon Backpack Style Case
- Reflective Safety Stripe on Backpack Offers High Visibility
- * SK-800C Features Rolling Cart
- Vic Firth Sticks



SK-800 Snare Kit
SK-800C w/ Rolling Cart



SK-750 Snare Kit

- 14"x5" Steel Snare Drum
- Heavy Duty Snare Stand
- Gladstone Style Practrice Pad
- Protective Custom Molded Case
 - Vic Firth Sticks

SK-750 Snare Kit

Practice Makes Perfect.

ED KITS & PRACTICE PADS



PK-800 Percussion Kit
PK-800C Percussion Kit/Rolling Cart

- PK-800 Kit
PK-800C w/Rolling Cart
- 2.5 Octave Bells (F5-C8)
 - Note Name Stickers
 - 8" Tunable Practice Pad
 - Quick On/Off Stand
 - Music Rack
 - Nylon Backpack Style Case
 - Reflective Safety Stripe on Backpack Offers High Visibility
- * PK-800C Features Rolling Cart
- Mallets w/25mm Heads & Woden Handles
 - Vic Firth Sticks
 - Educational CDROM



PK-750 Percussion Kit

- PK-750 Snare Kit
- 2.5 Octave Bells (G5-C8)
 - 8" Tunable Practice Pad
 - Quick On/Off Stand
 - Music Rack
 - Reflective Safety Stripe on Case
 - Mallets w/25mm Heads & Woden Handles
 - Vic Firth Sticks
 - Slim-Line Injection Molded Case

Complete Practice Kits

Pearl offers complete practice kits to make your groove strong. The SD-50H is a 8" single pad with stand for a limited footprint. The TK-100 is a standard 5 pc layout with high quality rubber pads for realistic feel and rebound. The rack is fully adjustable and folds easily for storage. The TK-200 provides all the same features but with double bass capability.



SD-50H

TK-100

TK-200



RP-50



RP-40C Cymbal Pads

Practice Pads

Practice makes good drummers into great drummers and with these custom-fit practice sets you can play all night. The RP-50 lays over the heads for noise suppression. Heavy duty rubber construction in sizes 12", 13", 14", 16" & Bass drum. The RP-40C Cymbal Pad set features 2 pads for the Hihats and 2 pads for 18" - 20" cymbals.



Smooth Copper
Professional Series Timpani

Professional Series Timpani

Adams Professional Series Timpani are press-formed from a single perfect sheet of the highest grade Copper. This produces a seamless, weld free shell for optimal resonance. These supreme Timpani feature an easy to operate fine tuner, locking wheels and a clutch and post pedal mechanism.

- Hammered Bowls Also Available
- Steel Suspension Ring Maintains Bowl Roundness
- European Style Block Pedal System
- Available in 5 sizes, 20", 23", 26", 29", 32"
- Short Covers Included

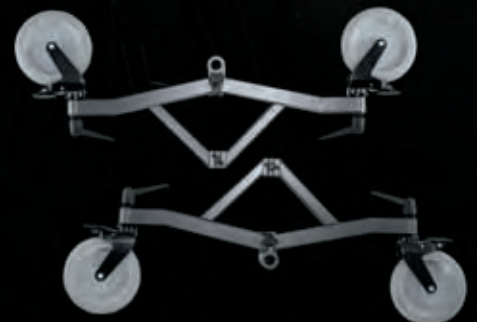
Symphonic Series Chimes

Adams Symphonic Series Chimes feature Chrome plated 1.5" Brass alloy tubes. Available in three models, the BK-3003CF 1-1/2 Octave with Field Frame, the BK-3003C 1-1/2 Octave and the BK-3000C 1/2 Octave Chime set. The standard series Chime Rack features 2 way locking casters and an extremely smooth pedal dampening system.

- 1.5" Proprietary Chrome Plated Brass Alloy Tubes
- Aluminum Construction
- Height Adjustable Frame
- Locking Casters
- Pedal Dampening System
- Full Length Cover Included

BK-3003CF Symphonic Chimes
With Endurance Field Frame

Go Mobile
Endurance Field Frame Add-on Base (#213) fits all Adams Chimes and allows transportation of Chime Rack over virtually any terrain.



Marimba To Go

Adams Concert Series Marimbas utilize Zelon synthetic bars for uncompromising tone and projection while providing extreme durability and resistance to the harsh elements of an outdoor performance. The Endurance Field Frame provides this instrument with a "go anywhere" swagger that makes transportation on and off the field a dream.



MCKF-43 Concert Series Marimba with Endurance Field Frame

- Synthetic Zelon Bars Offer Superior Resistance to Elements
- Structurally Welded Resonators Prevent Mechanical Noises
- Frame System Offers Crank Height Adjustment to Fit All Players
- Endurance Field Frame Conquers Virtually Any Terrain

Classic American Sound

The new Adams Artist and Concert Series Round Top Parsifal Bells are made of high quality steel that have been custom formulated especially for Adams. The bells exactly match the specifications of the "round top Deagan Parsifal bells" which many international musicians feel set the standard for quality and sound. Adams has designed the new bells with the right timbre, resonance and tone that match the characteristics of the 1920's American sound.

Artist Model

(Reversible Damper Pedal)

GAV33 Glock – Artist – Voyager Frame

3.3 octaves C5-E8

Reversible dampener pedal, nickel plated steel resonators, natural wood oak rails and end pieces, height adjustable voyager frame.

GAF33 Glock – Artist – Field Frame

3.3 octaves C5-E8

Reversible dampener pedal, nickel plated steel resonators, natural wood oak rails and end pieces, height adjustable field frame.

Concert Model

(No Damper Pedals)

GAV33 Glock – Artist – Voyager Frame

3.3 octaves C5-E8

Powder coated steel resonators, black rails and end pieces, height adjustable voyager frame.

GCF33 Glock – Concert – Field Frame

3.3 octaves C5-E8

Powder coated steel resonators, black rails and end pieces, height adjustable field frame.



GAF-33 Glockenspiel with Endurance Field Frame

Adams Vibraphone

The Sound of Quality.

Sound Mobility

The CV-1F (with motor) and CV-2F (no motor) Concert Vibraphones feature precision graduated Adams Aluminum alloy, Nickel anodized bars. These Vibraphones produce a beautiful tone of unmatched quality, perfectly balanced throughout the instruments entire range. Its motor and drive belts are completely enclosed within the beautifully finished wooden end cap of the instrument, providing both easy access to its top mounted controls and excellent protection from the elements. A new patented Adams fan system drives the fans directly from the side, and the instrument's 12 volt motor runs from a completely safe 110 or 220 volt power adapter, totally eliminating the possibility of any electrical hazard. The motor speed is fully adjustable from 25 to 150 rpms and offers easily accessible switches allowing the player to choose whether the fans stop in the open or closed position. A newly advanced foot operated precision dampening mechanism offers full pedal tension, damper and height adjustments to allow each player to custom configure the instrument to their exact playing style.



CV-2F

CV-1F Concert Vibraphone Field Frame with Motor

- Endurance Field Frame
- Aluminum Graduated Bars 57-38mm
 - 40-140 RPM Motor
- 3 Octave Range F3-F6
 - A=442 Hz
 - 60" Length
 - Low End 35.6"
 - High End 22.4"
- Height Adjustment 35.2" -41.6"
- Weight 132lbs

CV-2F Concert Vibraphone Field Frame, No Motor

- Endurance Field Frame
- Aluminum Graduated Bars 57-38mm
 - No Motor
- 3 Octave Range F3-F6
 - A=442 Hz
 - 60" Length
 - Low End 35.6"
 - High End 22.4"
- Height Adjustment 35.2" -41.6"
- Weight 132lbs

A D A M S



Height Adjustment

Adams height adjustment system, allowing you to effortlessly adjust the playing height of the instrument to fit any size player.



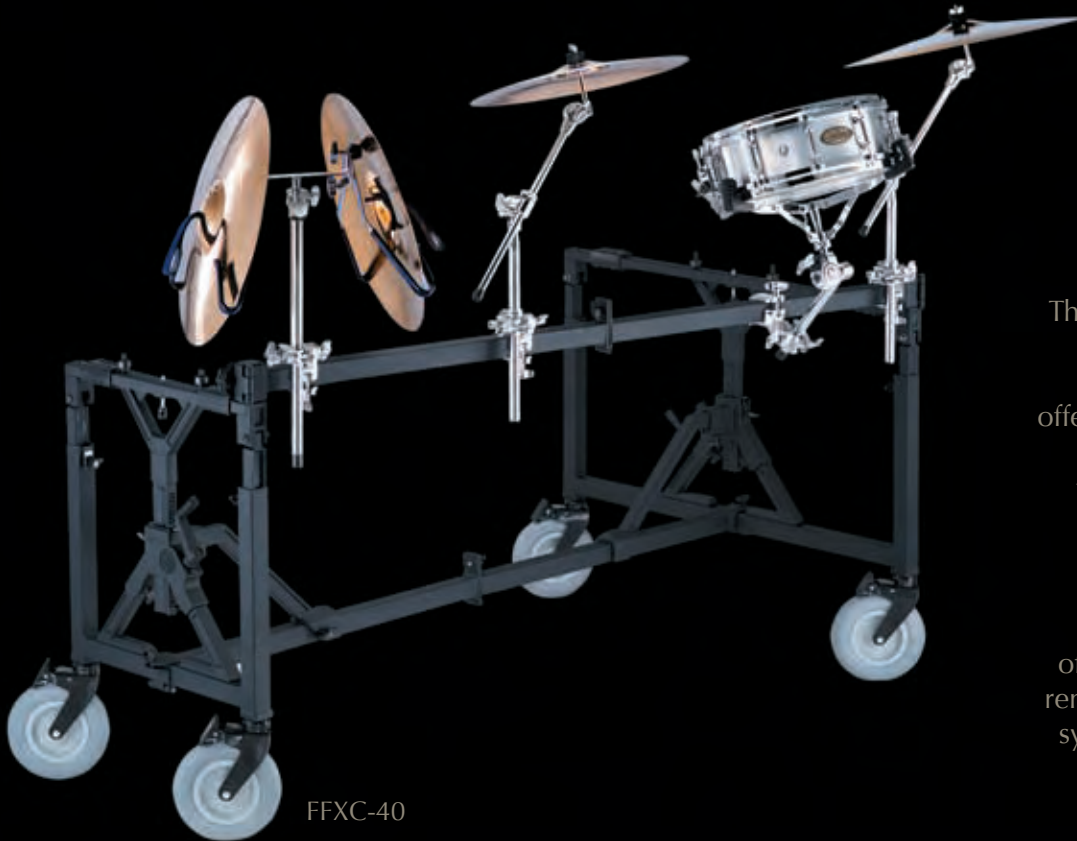
Accessory Bar

The Adams accessory bar is completely square, providing a slip free mounting surface that will not creep or rotate even under extremely heavy loads. The Adams Endurance Field Frame is easily the most sturdy, best designed, highly adjustable frame on the market today.



Locking Wheels

Extra large locking precision wheels navigates rough, uneven outdoor terrain and still can be perfectly suited to indoor concert events



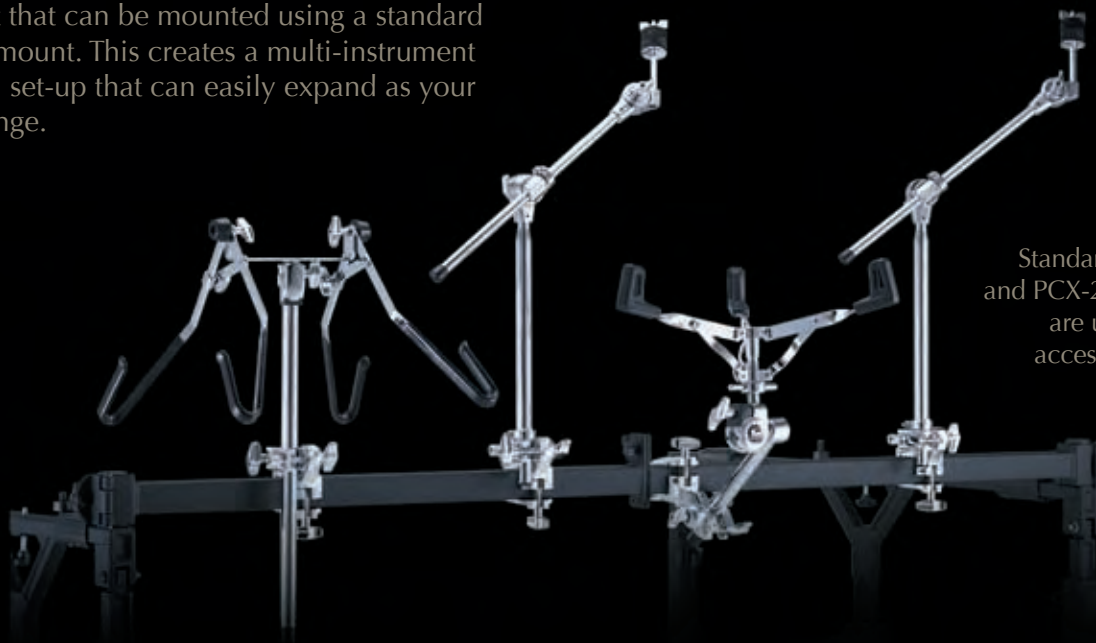
FFXC-40

All-Terrain Vehicle

The Endurance Frame was designed specifically with the demands of outdoor performance in mind, offering extra large locking precision wheels, and sturdy oversized tube construction. The Endurance Frame easily navigates rough, uneven outdoor terrain and still can be perfectly suited to indoor concert events as well. Both ends of the Endurance Frame feature the renowned Adams height adjustment system, allowing you to effortlessly adjust the playing height of the instrument to fit any size player.

Built to Accessorize

Front square accessory bar spanning the full length of the frame and square frame tubes allows the addition of drums, bells, cymbals, and virtually any instrument that can be mounted using a standard hardware mount. This creates a multi-instrument percussion set-up that can easily expand as your needs change.



Standard Pearl PCX-100 and PCX-200 Rack Clamps are used to mount all accessories to the bar.

A
D
A
M
S

Shown here is the FFAP-100 Endurance Field Frame Hardware Accessory Package.
4 PCX-200 Tilting Pipe Clamps, 2 CH-80 Cymbal Holders, S-100A Snare Drum Basket C-100AC Cymbal Holder

Ready for the Stage.

Start With a Great Instrument

Pearl Forum Series offers tremendous value in a drumset. Everything that you need to start drumming is included, from throne to cymbals and sticks. Forum drum shells are manufactured using the same Superior Shell Technology used in our Masterworks Series so you get perfect headseating and optimal tunability. Heavy duty hardware offers maximum adjustability and rugged, road-ready dependability.

Features

- 6 Ply 7.5 mm SST Poplar Shells
- Free Throne
- Free Pearl PCP-303P Cymbals
- Free DVD
- Free Vic Firth Drum Sticks
- Double- Braced Hardware
- P-120 Pedal
- H-72W Hi-hat
- B-70W Boom Stand
- Available in 7 Finishes



FX725SC
#44 Carbon Black

DRUMSETS

From Student to Pro

Pearl Export Series is without a doubt the best selling drumset of all time. Export combines maximum value with professional grade engineering so that you get a kit that will perform from the garage to the stage.

Features

- 6 Ply 7.5 mm SST Poplar Shells
- Wood Bass Drum Hoops w/Matching Finish
- Super Durable Covered Finish
 - I.S.S. Tom Mounts
- P-120P Pedal with Powerplate-Double Pedal Ready
- Double- Braced Hardware
- Available in 5 Finishes



EX-825/C
#49 Polished Chrome

A World of Options

Pearl Percussion offers a world of hand drums and traditional effects for the student and professional.

Congas, Bongos, Timbales and Djembes, all available in a choice of performance levels and price range to fit your needs.



PCW-110DX, 117DX, PCF-125DX
11", 11.75" and 12.5" #522 Diamond Burst



PWC-204DX, PWC-120DX
10", 11" and 12" #524 Black Tribal Steel



ETB-1415
Elite Series Timbales

PTS-5134
Primero Timbales

PTB-3131
Primero Flat Timb



PBW-300DX
Elite Series 7"/9" Thai Oak Bongos
#522 Diamond Burst

Pearl offers a wide range of Timbales. From our single Flat Timbs that will mount virtually anywhere and provide that classic Timbale sound to our value-packed Primero line and professional Elite Series.. Pearl has a set that wil fit your need and budget.

Anytime is Practice Time

Pearl's Practice Conga is the perfect instrument for the student on the go. Its lightweight design and leg strap that doubles as a shoulder strap makes it easy to take it everywhere so that anytime is practice time. Includes a free instructional video and strap.



PPC-120
Practice Conga

The Djembe is a traditional African instrument. It provides deep, resonant bass and is a favorite for drum circles. Pearl offers a wide variety of Djembes from our entry level lightweight Fun Drum, to our professional Elite Series.



PFD-300
Fun Drum

PJF-350
#517 Island Shadow

Protect your prized drums during transportation or storage with padded custom-fit cases. Strong handles and heavy-duty shoulder straps make gigging a breeze.



PSC-125CG
12.5" Conga Bag

PSC-110CG
11" Conga Bag

PSC-BB
Bongo Bag

PSC-117CG
11.75" Conga Bag

When it comes to percussion hardware, Pearl has stands built for the working musician, from our traditional basket stands to our QRS Multi-Stand System. The Hide-away Djembe stand incorporates a built-in carrying handle that allows a quick fold up and getaway without even removing the instrument.



PC-900
All-Fit Conga Stand

PC-200W
Twin Conga Stand

PHD-1000
Hide-Away Djembe Stand

Hand Effects

Shake It Baby!

HAND EFFECTS



PETM-20
Elite Concert
Headed Tambourine
Double row Jingles

PETM-10
Elite Concert
Headed Tambourine
Single Row Jingles



Elite Concert Woodblocks
are available in 3 sizes,
7", 9" & 10". They feature a
raised spine for easy strik-
ing and an included mount
for any 3/8" post.

PCWB30

PCWB10



Bala Cowbells
Adjustable mount, smooth,
seamless welds with polished
finish. Available in 9 sizes



PET100 10" Elite
Concert Triangle

PET80 8" Elite
Concert Triangle

PET60 6" Elite
Concert Triangle



PTC-10
Triangle clip



PETB-30
Elite Concert
Triangle Beaters



PPT-1824 Trap Table shown with
PTR-1824 Percussion Add-on Rack.
Highly portable table holds a variety of percussion
effects at the ready. The add-on rack allows
mounting of chimes, cowbells, triangles and even
microphones. Collapses quickly for transportation.
Available in 2 sizes, 12"x12" and 24"x18"

PWC-32A Wind Chimes
32 Bar Aluminum with Striker
Also available in Gold (PWC-32G)

PP1-EDU
Student Ed Percussion Pack
Includes everything that the beginning Percussionist could
possibly need. Includes PETM Tambourine, PTC-Triangle
Clip, PET-80 8" Triangle, PGA-32 Hex Ganza, PCL-10 Fiber
Claves, 9" Woodblock, 6" Cowbell, Carrying Bag with
Shoulder Strap



Shake It Baby!

These synthetic Clave blocks are identical in size and available in 3 unique pitches and virtually indestructible. Includes adjustable holder for perfect placement.



PBL-20 High



PBL-10 Middle



PBL-30 Low



PSK-10
Fiberglass Shaker



PGA-20
Basket Ganza



PRM-20
Natural Hide Maracas



PCL-10
Fiber Claves

PCL-10FCB
Traditional Clave
(Bamboo)



PCL-10FCW
Traditional Clave
(Chi Chan)



PFG-20
Fiber Guiro

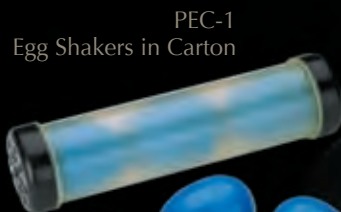


PMG-20
Metal Guiro w/striker



PGA-32
Hex Ganza

PGA-30
Hex Ganza



PEC-1
Egg Shakers in Carton



PJH-10SH
Jingle Ring
The Jingle Ring mounts to any standard post or fits perfectly over a Hi-hat post.



PTM-10GH
Gold Tone Jingles
with QuickMount

QuickMount allows the player to play the instrument by hand or replace it in the holder quickly for stick playing.

PTM-10SH
Stainless Steel Jingles
with QuickMount



PGR-03
Shakerine

PTH-10SB
Headless Tambourine
with Brass Jingles



PTH-10S
Headless Tambourine
with Stainless Jingles



Improving Tradition

Taiko drumming has spread around the World in recent years as more and more people are drawn to the power and excitement of this ancient art.

Taiko literally means "fat drum" however there are many shapes and sizes of Taiko drums. Miya-daiko drums are large, deep temple drums with tacked heads while Hira-daiko are flat drums with tacked heads. The Shime-daiko are turnbuckle-tensioned drums similar to modern snare drums.

Traditionally the larger drums were carved from a single large and very old tree which in turn made them extremely expensive and difficult for many Taiko groups to afford.

Pearl's new Taiko drums are made of compiled Oak that not only provides outstanding strength but makes them much more affordable than traditional carved models.

TAIKO

和太鼓

WOT-18 Miya-daiko
with Yagura-dai stand

From the Inside Out

Pearl's Taiko shells offer tremendous strength for the rigors of Taiko drumming. The inside of the shells are shaped with special reinforcements for optimum and balanced sound reflection within the drums and a special "A" grade calfskin. This ultra-thick natural hide is exclusive to Pearl's Taiko drums and provides the deep resonating power of the Taiko sound.

Pearl's Taiko drums are made under strict supervision of Japanese traditional Taiko drum Masters to assure the highest quality and superior sound. An ancient art improved through modern innovation and craftsmanship.



WOT-15 Miya-daiko with Hiraoki-dai



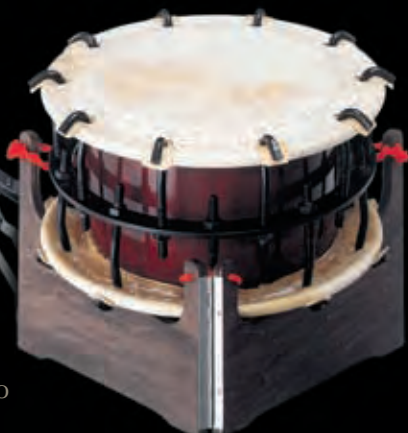
WOT-16 Miya-daiko with Hon-bashira stand



WST-20BL Shime-daiko with Snare stand



WHT-12 Hira-daiko with snare stand



WST-20BL Shime-daiko with Zaso-dai



WHT-12 Hira-daiko with Busho-dai



EDUCATIONAL PRODUCTS

Pearl

www.pearldrums.com

Product and specifications are subject to change without notice.
© Copyright 2006 Pearl Corporation, 549 Metroplex Dr. Nashville, TN 37211 Printed in the U.S.A.